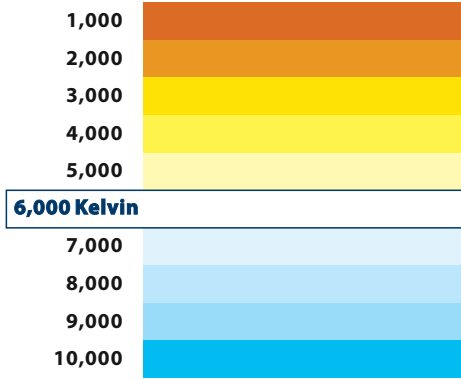
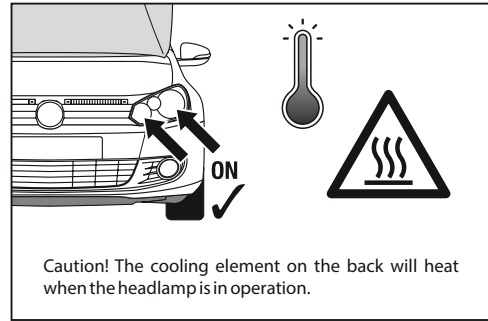
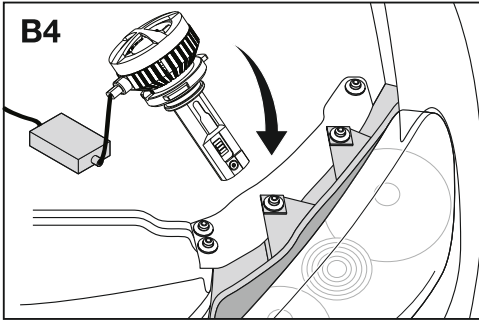


LED 12X PRO HP



Blaupunkt LED lamps are energy efficient and last longer



Installation Tips and Suggested Guidelines:

- Please do not touch the open LED section of the lamp at any time.
- While installing the LED lamps, please make sure that the reflector part of the headlight is wiped clean.
- Post installation, it is recommended that user check alignment of the lamps as recommended by the vehicle manufacturer.

BPIN Private Limited

47, Atlanta Society, Nariman Point, Mumbai - 400 021. Maharashtra. India.

Toll Free: 1800 209 6820 | info@blaupunktcar.in | Shop Online at www.blaupunktcar.in

BLAUPUNKT

BLAUPUNKT
100 साल
Brand est. 1924

VELOCITY POWER

12V LIGHTING - 6000K

LED 12X PRO HP

Suitable for Car Projector, Reflector & Fog Lamp

**H1 / H4 / H7 / H8 / H11 / H16 /
H19 / 9005 | 9012 / 9006**

**2 Year
WARRANTY**

**HIGH
POWER**



**180
watts**

**6000
Kelvin**

**6500 Lumens /
Lamp**

**Superior
Brightness** *Enjoy it.*

