

TIF 30 DA - 12V

BLAUPUNKT

TYRE INFLATOR

TIF 30 DA - 12V

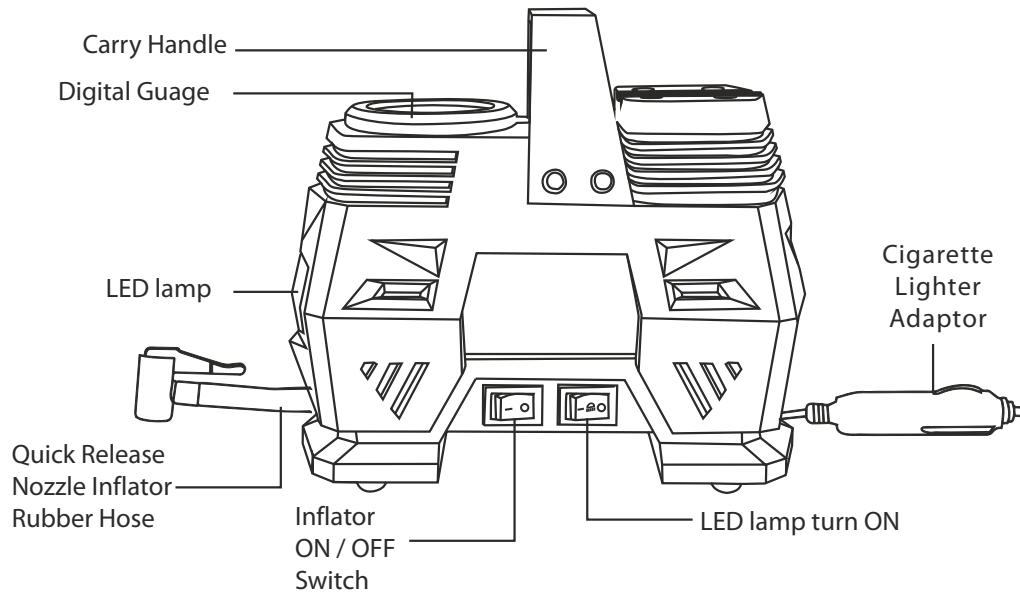
Suitable for Car, Motorcycle, Bicycle
and other Sports equipment



BPIN Private Limited
47, Atlanta Society, Nariman Point, Mumbai - 400 021. Maharashtra. India.
Toll Free: 1800 209 6820 | info@blaupunktcar.in | Shop Online at www.blaupunktcar.in

Enjoy it.

Product Description



Specification:

- Inflator with Digital Gauge & AutoStop
- Input: DC 12V
- Rated Power: 110W
- Rated Current: 10A
- Max Pressure: 150 PSI / 10.3 BAR
- Cylinder diameter: 30mm
- Max. Duty Cycle: 10 min
- **Recommended for SUV's**
- Function: Tyre inflator with PRESET & AUTOSTOP
- Additional Function: LED work light
- Power Cord length: 3 meter with cigarette lighter plug.
- Air hose: 50cm rubber hose with quick release valve connector
- Accessories: 2 nozzle adaptors & 1 sports equipment needle nozzle

Instructions:

1. Start the vehicle and insert the cigarette lighter adaptor into the 12V cigarette lighter outlet provided in the vehicle.
2. The device comes with a 3M long Power Cord which makes it convenient to connect the front & back tyres.
3. Attach the Quick Release Nozzle to the valve stem of the tyre.
4. Place the device on a preferably flat surface and set the preferred tyre pressure on the digital dial (Fig 2).
5. Turn on inflator device. Make sure there are no leaks at the point where the quick release nozzle meets the valve stem of the tyre.
6. Once the desired tyre pressure is reached, the unit turns off automatically.

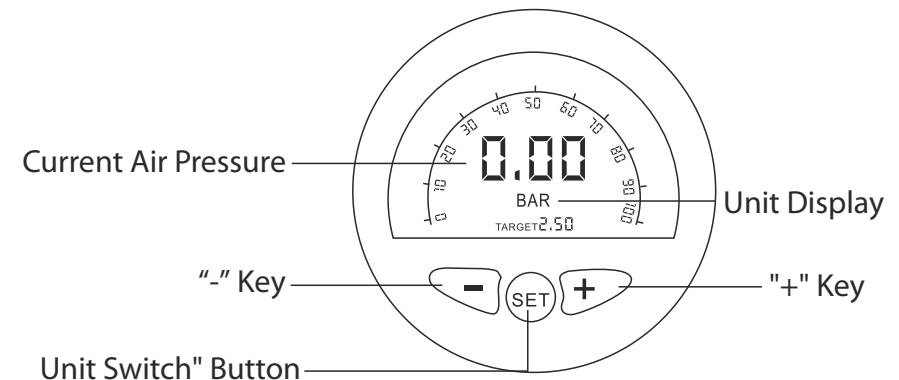
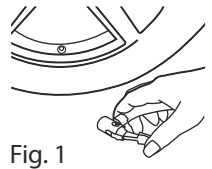
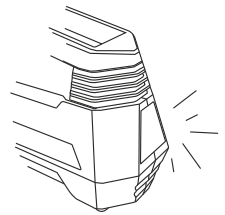


Fig. 2

7. This tyre pressure inflator comes equipped with a LED light that makes it convenient to use at night.
8. This device is designed to work non stop for around 10-12 minutes (typical time required to inflate 16"-19" tyres). It is suggested to not use the device beyond these 10-12 minutes at a stretch. A 2-3 minute interval may be required to improve the efficiency of this device in the long run.



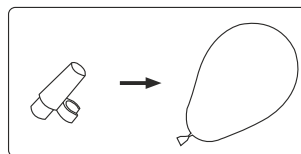
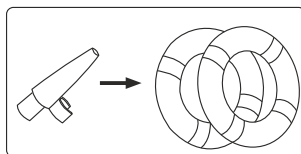
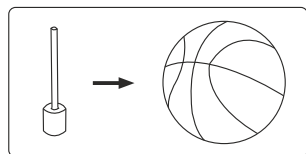
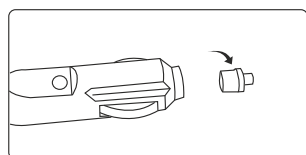
Product Parameters:

Input Voltage	DC 12V	Power	110W
Power Cord Length	3 Meters	Cylinder Diameter	30MM
MAX Duty Cycle	< 10 min	MAX Air Pressure	150PSI

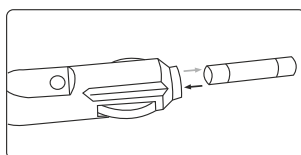
Helpful Tips:

1. Do NOT keep the device near a heat source
2. Do NOT use this device near flammable liquids or gas source
3. Should the device need attention, please visit an Authorized Service Centre. Any attempt to service the device by unauthorised person will VOID warranty
4. This device is designed to be used with a 12V supply source only. Do NOT attempt to use it with a 24V supply source
5. This device is designed to be used to inflate tires for all types of Cars including SUV's.
6. It is normal for the device to get hot after continuous use.
7. It is recommended to use this device to inflate tyres for no longer than it's suggested cycle time at a go.

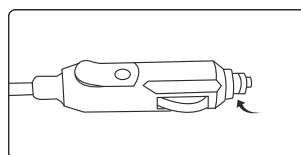
Accessories: Following accessories are included in the package: 1 qty spare fuse and 3 qty multi-function air inflator nozzles.

**Steps for changing fuse:**

Unscrew the top of the cigarette lighter adaptor



Remove blown fuse & insert spare fuse provided



Screw the top end of the cigarette lighter adaptor to make a tight seal

Troubleshooting Guide

This section covers common problems the user may encounter while using this device.

Nature of problem	Cause and recommended solution
Device not working	Fuse is blown - replace fuse and check device
Device is operating erratically	The quick release valve connector is not connected to the valve stem securely - causing a leak and hence showing erratic readings. Release the connector from the valve stem and reconnect securely
	The preferred tire pressure was not preset correctly and causes the display to blink continuously. Turn off the device, set the preferred tyre pressure and Turn ON device.

