

Warranty

We provide a manufacturer's warranty for our products bought within India. You can view the warranty terms at www.blaupunkt.com or ask for them directly at:

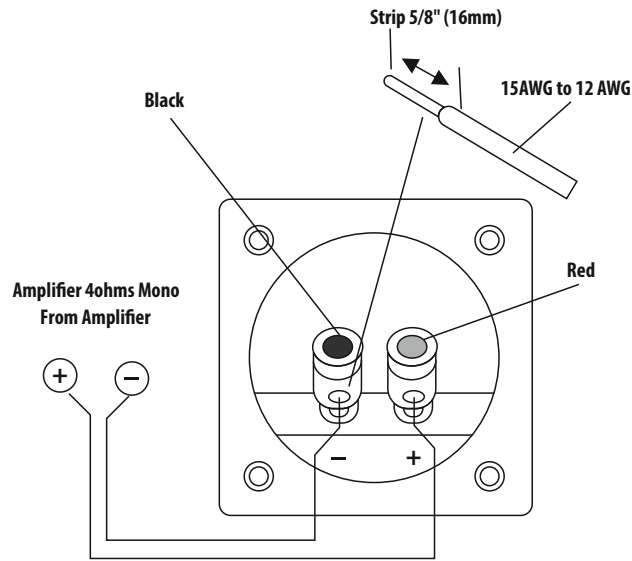
Blaupunkt India Private Limited
 47, Atlanta Society, Nariman Point,
 Mumbai - 400 021. India.

Safety Notes:

Please observe the following safety notes during the installation & connection.

- Disconnect the negative terminal of the battery. Observe safety notes of the vehicle manufacturer.
- Prior to drilling mounting holes, make sure that no cables & parts of the vehicle will be damaged.
- Do not install subwoofers on loose rear parcel shelves (fastback vehicles)
- Leave ample clearance between the cables and other harnesses. Use cable glands for holes with sharp edges

Connection Diagram



Speaker Features

- Parabolic Mica injected Polypropylene Cone
- Butyl Rubber Surround
- Bumped Backplate with rear pole piece venting
- Stamped Steel Frame

Vented Enclosure Features

- High-flow, low-noise port
- High current speaker terminal
- Integrated metal mesh grille
- Covered with high density carpet

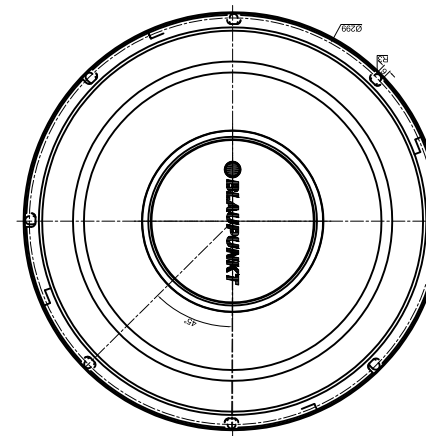
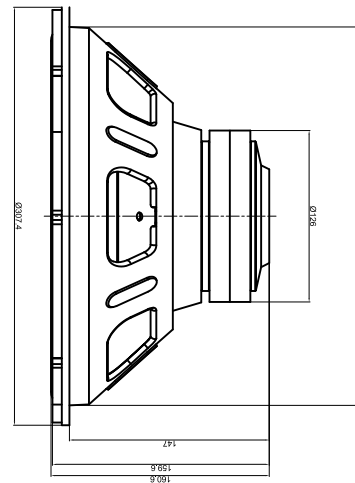
Recycling and disposal

To dispose of the product, please use the available waste return and collection systems.



Subject to changes!

Technical data



Specifications: Subwoofer

• Maximum power handling (Watts):	1500
• Nominal power handling (RMS):	300W
• Nominal impedance (Ohms):	4
• Frequency response (Hz):	30-300
• Efficiency (dB / 2.83V / 1m):	87dB
• Diameter Installation hole (mm):	282
• Diameter Installation hole (inch):	11.1
• Thiele Small Parameter fs (Hz):	29.8
• Thiele Small Parameter Qts:	0.62z
• Thiele Small Parameter Qes:	0.61
• Thiele Small Parameter Qms:	7.08
• Thiele Small Parameter Vas (l):	93.25
• Thiele Small Parameter Xmax (mm):	8