

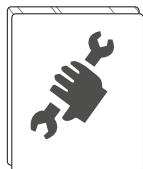
● **BLAUPUNKT**

2-WAY/3-WAY SYSTEMS

**ICx 542**



Enjoy it.



## ENGLISH

### Warranty

We provide a manufacturer's warranty for products bought within the European Union. For devices purchased outside the European Union, the warranty terms issued by our respective responsible domestic agency are valid. The warranty terms can be called up from [www.blaupunkt.com](http://www.blaupunkt.com).

### Safety Notes

Please observe the following safety notes during the installation and connection.

- Disconnect the negative pole of the battery! Observe the safety notes of the vehicle manufacturer.
- When you drill holes, ensure that you do not damage any vehicle components.
- Use cable glands for holes with sharp edges.
- Leave ample clearance between the cables and other harnesses.
- An incorrect installation can result in malfunctions of the electronic vehicle systems or your car sound system.

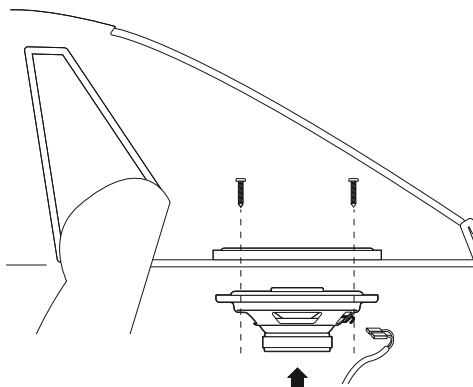
### Recycling and disposal



Please use the return and collection systems available to dispose of the product.

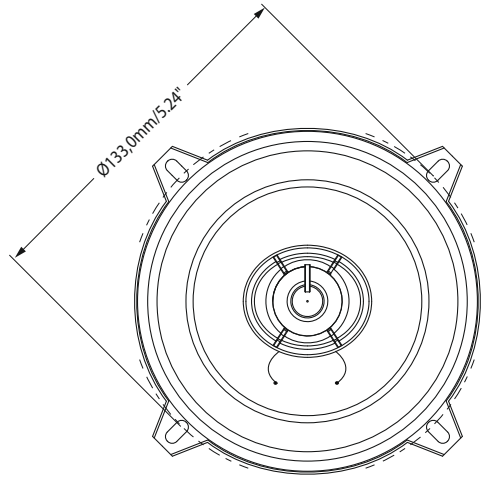
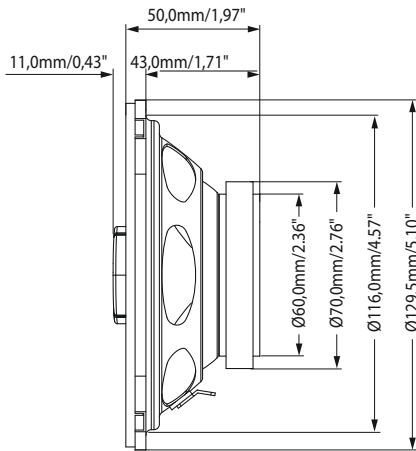
Subject to changes!

### Installation



**Technical data**

**ICx 542**



**Performance ICx 542**

Peak power handling	210 watts
RMS power handling	30 watts
Impedance	4 ohms
Frequency response	70-20,000 Hz
Sensitivity	91 dB (2.83 V/m)